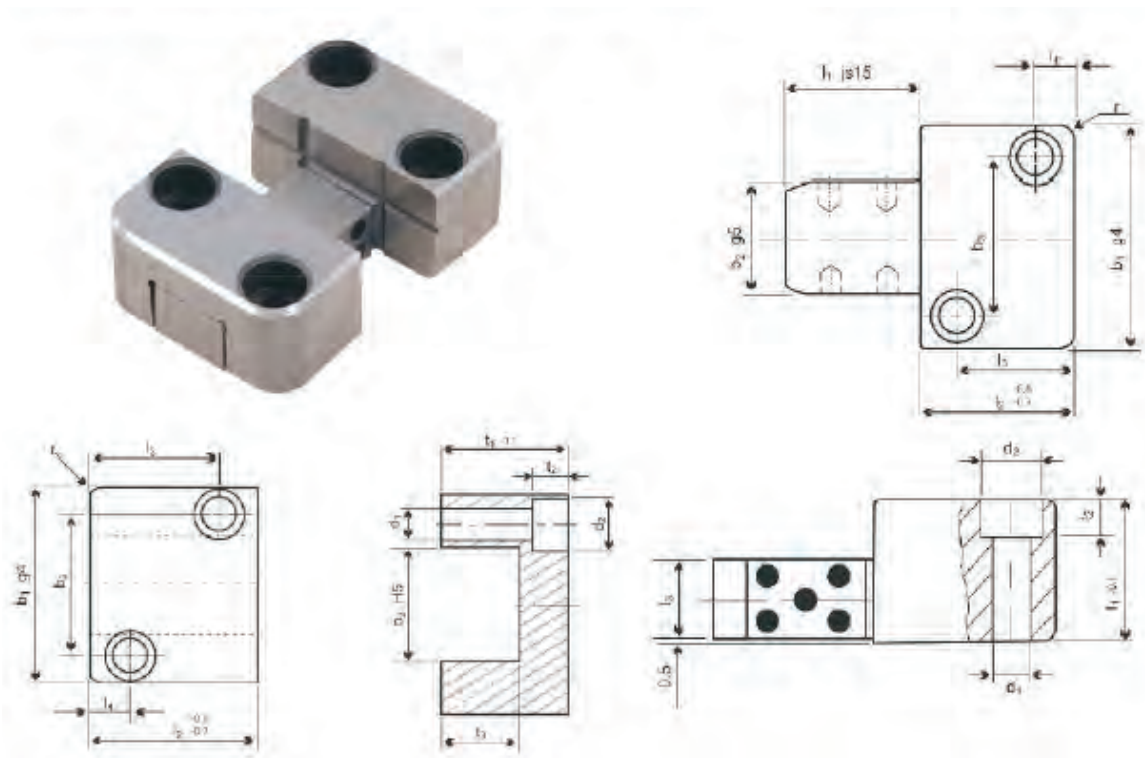


## OILLESS SIDE LOCKS

Material: 1.7131

Hardness: Male  $58 \pm 2$  HRC



Códe Number	b1	b2	l1	l2	t1	t3	d1	d2	t2	b3	l3	l4	r
OSL-40A	40	16	20	22	20	11	6.6	11	6.8	26	15	7	6
OSL-40B			40										
OSL-45A	45	20	25	27	22	13	6.6	11	6.8	31	19	7	6
OSL-45B			50										
OSL-50A	50	25	32	36	25	14	6.6	11	6.8	35	27	9	8
OSL-50B			63										
OSL-63A	63	32	40	46	32	19	9	15	9	45	35	11	8
OSL-63B			80										
OSL-85A	85	40	50	56	36	22	11	18	11	60	40	15	10
OSL-85B			100										
OSL-100A	100	50	56	66	40	24	14	20	13	74	48	18	10
OSL-100B			112										

Order form: Code number